

18" SQUARE MUD FRAME WITH FOUR 9" SQUARE SUN/8HPH SUCTION OUTLET COVERS

VGB Series

The AquaStar line of suction outlet covers, compliant with the Virginia Graeme-Baker Pool and Spa Safety Act (ANSI/APSP 16-2011 and NSF/ANSI 50-2009a)

FEATURES

For single or multiple drain use
6" minimum sump depth
(see installation instructions)

Single – 6" sump depth
Floor: 1000 GPM at 3.1 fps
Wall: 644 GPM at 2.0 fps

Floor/wall: 490 GPM at 1.5 fps
Floor/wall: 325.4 GPM at 1.0 fps

104.4 square inch opening

#316 stainless steel screws

Trademarked VGB compliance button easily identifies VGB 2008 compliance from pool/spa deck

Manufactured from superior UV-resistant engineered polymers

Easily and safely retrofits most brands' existing frames

All components (cover, adapter plate, frame, screws) meet or exceed ANSI/APSP 16-2011 and NSF/ANSI 50-2009a national standards and ASTM G154 UV testing exposure

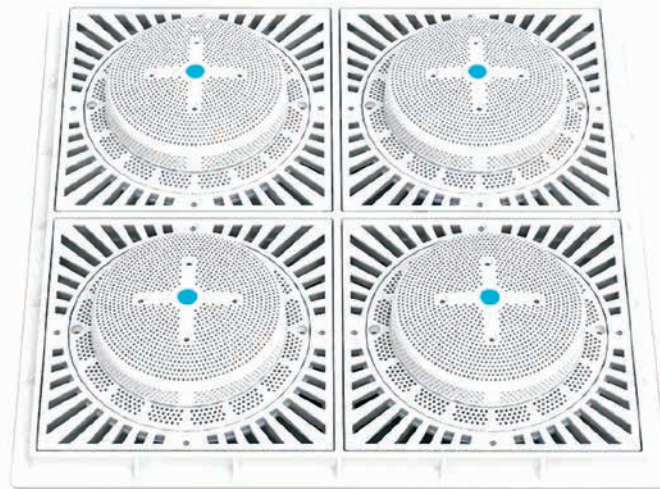
Mud frame included for new construction

Replace every five years from the date of installation

4 per case

SUN Series

Highest flow rate – great for commercial installations



Part # SUN18HPHxxx

Grates fit: AquaStar (standard 18" square frames); Pentair (#1 selling) with 3/4" deep existing window grid frame and 4x4 screw hole pattern

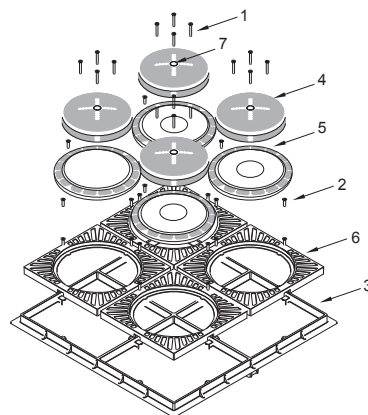
STANDARD COLORS

- SUN18HPH101 – White
- SUN18HPH102 – Black
- SUN18HPH103 – Light Gray
- SUN18HPH104 – Blue
- SUN18HPH105 – Dark Gray
- SUN18HPH108 – Tan

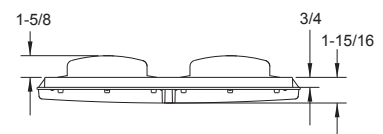
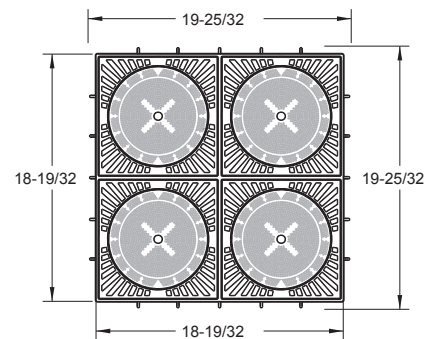
Also available with four grates only for 1" deep retrofits
p/n RSUN18HPHRxxx

Also available with four grates only for 3/4" deep retrofits
p/n RSUN18HPHxxx

VGB 2008 Compliant



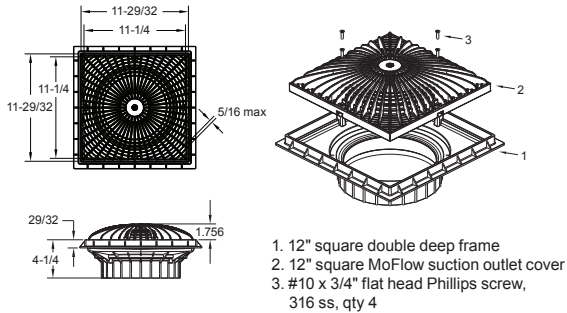
1. #8-32 x 1-1/4" flat head Phillips screw, 316 ss, qty 16
2. #10 x 3/4" flat head Phillips screw, 316 ss, qty 24
3. 18" square frame
4. 6" round suction outlet cover, qty 4
5. 8" round adapter plate with holes, qty 4
6. 9" shallow square "sun" to 8" round adapter, qty 4
7. VGB 2008 "color code" swimming man, qty 4



ADDITIONAL PRODUCT CONFIGURATIONS FOR 12MFXXX

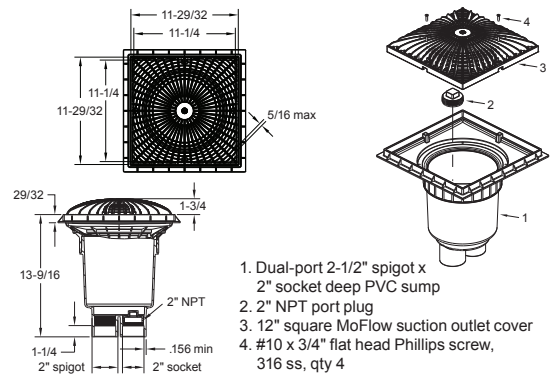
Double-Deep Sump

Part #
12MFxxxA
4 per case



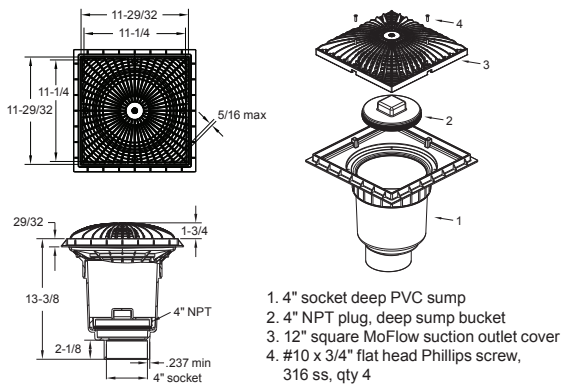
Dual-Port 2 1/2" Spigot x 2" Socket Deep PVC Sump

Part #
12MFxxxB
1 per case



4" Socket Deep PVC Sump

Part #
12MFxxxD
1 per case



6" Socket Deep PVC Sump

Part #
12MFxxxF
1 per case

