

VGB Series

The AquaStar line of suction outlet covers, compliant with the Virginia Graeme-Baker Pool and Spa Safety Act (ANSI/APSP 16-2011 and NSF/ANSI 50-2009a)

FEATURES

For single or multiple drain use
3" minimum sump depth
(see installation instructions)

Single –
Floor/wall: 224 GPM at 1.5 fps
Floor/wall: 150.9 GPM at 1.0 fps

48.4 square inch opening

Easily and safely retrofits most brands' existing 9" square 3/4" deep frames*

Additional sump versions also available

Trademarked VGB compliance button easily identifies VGB 2008 compliant cover from on deck and underwater

#316 stainless steel screws

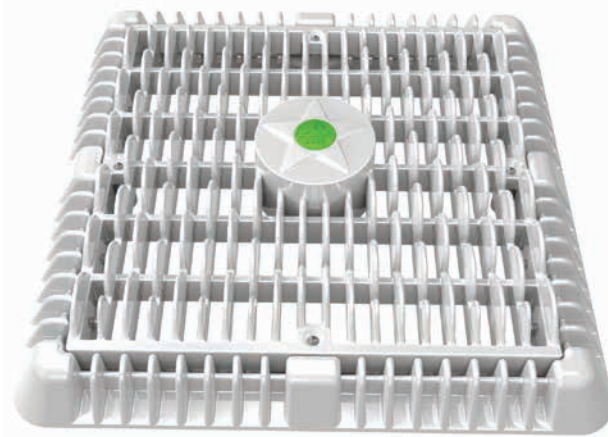
Manufactured from superior UV-resistant engineered polymers

All components (cover, sump, screws) meet or exceed ANSI/APSP 16-2011 and NSF/ANSI 50-2009a national standards and ASTM G154 UV testing exposure

Replace every five years from the date of installation

8 per case

U.S. patents D623727 and D663388



Part # WAV9WRxxx

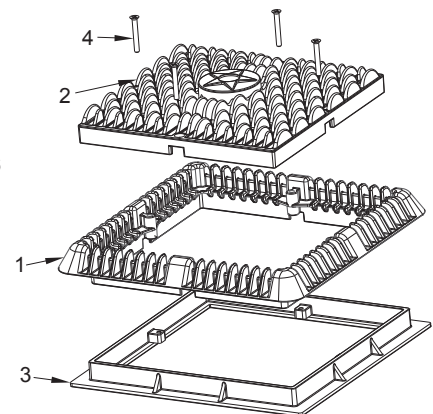
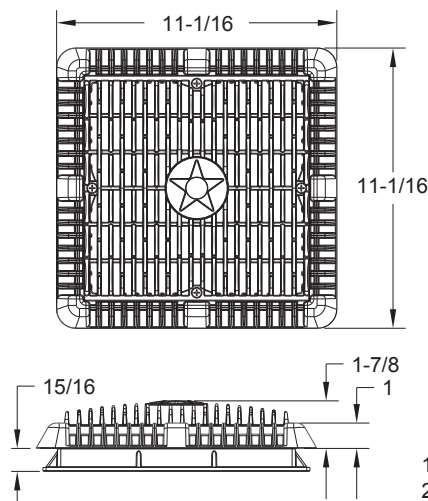
*Fits: AquaStar (all standard 9" square), Pentair (#1 selling) with 3/4" deep existing frames and four screw hole pattern

STANDARD COLORS

- WAV9WR101 – White
- WAV9WR102 – Black
- WAV9WR103 – Light Gray
- WAV9WR104 – Blue
- WAV9WR105 – Dark Gray
- WAV9WR108 – Tan

Replaces p/n P9xxx

VGB 2008 Compliant

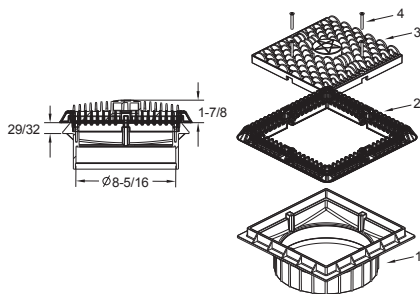
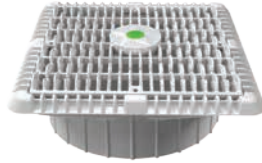


1. 9" vented riser ring
2. 9" square "wave" suction outlet cover
3. 9" square drain frame
4. #10 x 1-3/4" flat head Phillips Type A screw, 316 ss, qty 4

ADDITIONAL PRODUCT CONFIGURATIONS FOR WAV9WRXXX

Double-Deep Sump

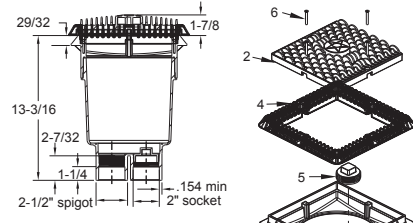
Part #
WAV9WRxxxA
4 per case



1. 9" square double deep frame
2. 9" vented riser ring
3. 9" square "wave" suction outlet cover
4. #10 x 1-3/4" flat head Phillips Type A screw, 316 ss, qty 4

Dual-Port 2 1/2" Spigot x 2" Socket Deep PVC Sump

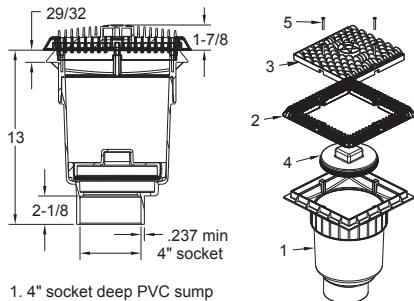
Part #
WAV9WRxxxB
2 per case



1. Dual-port 2-1/2" spigot x 2" socket deep PVC sump
2. 9" square "wave" suction outlet cover
3. 9" square double deep frame
4. 9" vented riser ring
5. 2" NPT port plug
6. #10 x 1-3/4" flat head Phillips Type A screw, 316 ss, qty 4

4" Socket Deep PVC Sump

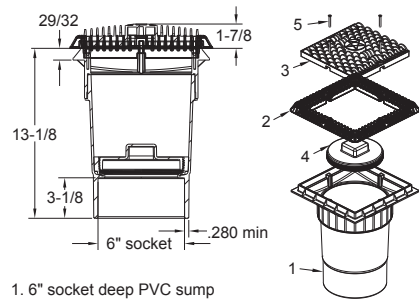
Part #
WAV9WRxxxD
2 per case



1. 4" socket deep PVC sump
2. 9" vented riser ring
3. 9" square "wave" suction outlet cover
4. 6" NPT plug
5. 10 x 1-3/4" lg flat head Phillips screw, 316 ss, qty 4

6" Socket Deep PVC Sump

Part #
WAV9WRxxxF
2 per case



1. 6" socket deep PVC sump
2. 9" vented riser ring
3. 9" square "wave" suction outlet cover
4. 6" NPT plug
5. 10 x 1-3/4" lg flat head Phillips screw, 316 ss, qty 4