

16" SQUARE ANTI-ENTRAPMENT SUCTION OUTLET COVER FOR 12" SQUARE RETROFITS OR NEW CONSTRUCTION

VGB Series

The AquaStar line of suction outlet covers, compliant with the Virginia Graeme-Baker Pool and Spa Safety Act (ANSI/APSP 16-2011 and NSF/ANSI 50-2009a)

FEATURES

For single or multiple drain use
(see installation instructions)

Single – 3" sump depth
Floor: 460 GPM at 1.46 fps
Wall: 445 GPM at 1.4 fps

Floor/wall: 472.2 GPM at 1.5 fps
Floor/wall: 314.8 GPM at 1.0 fps

When 1.0 or 1.5 fps installations are not required, always use the lower tested flow rate
101 square inch opening

Easily and safely retrofits most brands' existing 12" frame with epoxy or screws or both; cover anchors into in-molded brass inserts in frame with four fine thread machine screws

Ideal for retrofitting over all existing sumps/frames up to 15" by anchoring directly into pool finish (plaster, tile, fiberglass, etc.) using four brass anchors and stainless screws in kit #BIK4

Trademarked VGB compliance button easily identifies VGB 2008 compliant cover

#316 stainless steel screws

Manufactured from superior UV-resistant engineered polymers

All components (cover, sump, screws) meet or exceed ANSI/APSP 16-2011 and NSF/ANSI 50-2009a national standards and ASTM G154 UV testing exposure

Replace every five years from date of installation

4 per case

NEW CONFIGURATION

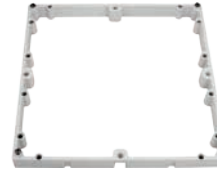
Retrofits over all existing sumps/frames up to 15"



Mud frame



Retrofit adapter frame for 3/4" deep 12" square retrofits



Retrofit adapter frame for 1" deep 12" square retrofits



Optional – extra screw holes for anchoring directly into pool finish using four brass anchor kit part # BIK4



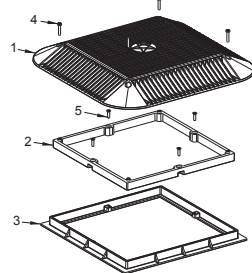
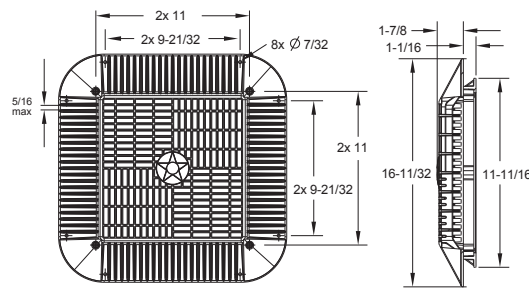
Part # 1216xxx

STANDARD COLORS

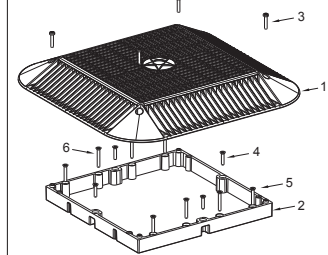
- 1216101 – White
- 1216102 – Black
- 1216103 – Light Gray
- 1216104 – Blue
- 1216105 – Dark Gray
- 1216108 – Tan

Replaces RWAV12xxx and RFS12xxx

VGB 2008 Compliant



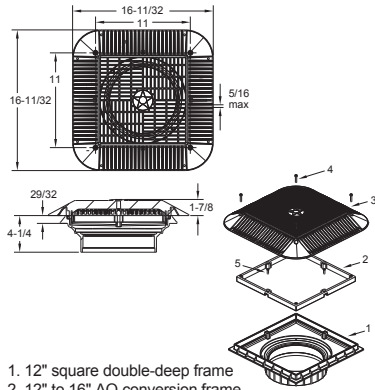
1. 16" x 16" anti-entrapment suction outlet cover
2. 12" to 16" square conversion frame
3. 12" x 12" square drain frame
4. 10-32 x 1" pan head Phillips machine screw, 316 ss, qty 4
5. #10 x 3/4" flat head Phillips Type A screw, 316 ss, qty 4



1. 16" x 16" anti-entrapment suction outlet cover
2. 12" to 16" universal frame converter
3. 10-32 x 1" pan head Phillips machine screw, 316 ss, qty 4
4. #10 x 1" flat head Phillips Type A screw, 316 ss, qty 4
5. 10-24 x 1-1/4" flat head Phillips screw, 316 ss, qty 4
6. #10 x 1-1/2" flat head Phillips Type A screw, 316 ss, qty 4

ADDITIONAL PRODUCT CONFIGURATIONS FOR 1216XXX

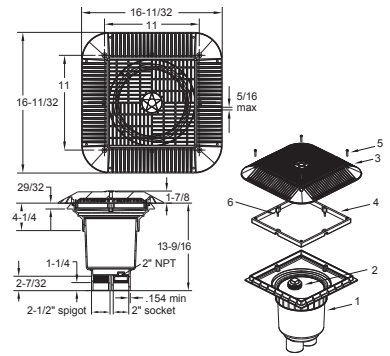
Double-Deep Sump



Part #
1216xxxA
2 per case

1. 12" square double-deep frame
2. 12" to 16" AQ conversion frame
3. 16" x 16" drain cover
4. 10-32 x 1" pan head Phillips screw, 316 ss, qty 4
5. 10 x 3/4" flat head Phillips screw, 316 ss, qty 4

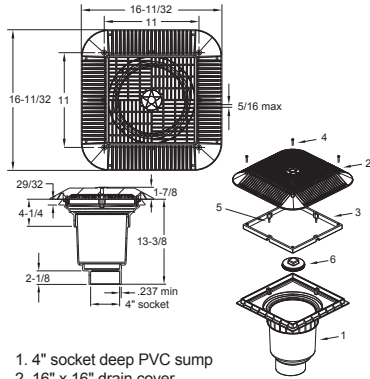
Dual-Port 2 1/2" Spigot x 2" Socket Deep PVC Sump



Part #
1216xxxB
1 per case

1. Dual-port 2-1/2" spigot x 2" socket deep PVC sump
2. 2" NPT port plug
3. 16" x 16" drain cover
4. 12" to 16" AQ conversion frame
5. 10-32 x 1" pan head Phillips screw, 316 ss, qty 4
6. 10 x 3/4" flat head Phillips screw, 316 ss, qty 4

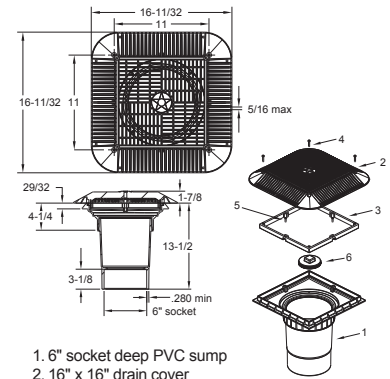
4" Socket Deep PVC Sump



Part #
1216xxxD
1 per case

1. 4" socket deep PVC sump
2. 16" x 16" drain cover
3. 12" to 16" AQ conversion frame
4. 10-32 x 1" pan head Phillips screw, 316 ss, qty 4
5. 10 x 3/4" flat head Phillips screw, 316 ss, qty 4
6. 6" NPT plug

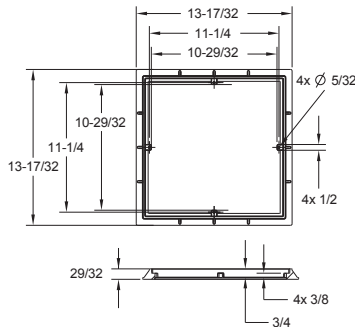
6" Socket Deep PVC Sump



Part #
1216xxxF
1 per case

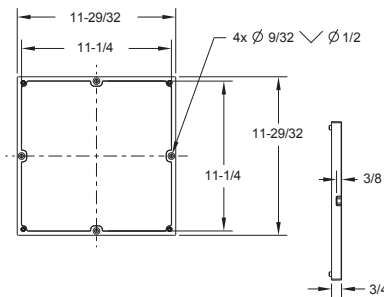
1. 6" socket deep PVC sump
2. 16" x 16" drain cover
3. 12" to 16" AQ conversion frame
4. 10-32 x 1" pan head Phillips screw, 316 ss, qty 4
5. 10 x 3/4" flat head Phillips screw, 316 ss, qty 4
6. 6" NPT plug

Mud Frame



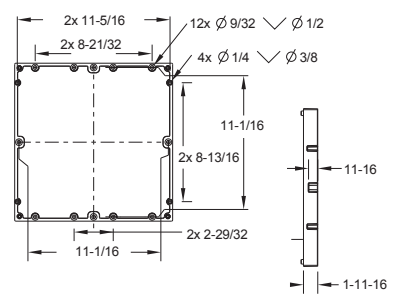
Part # 12FRxxx
12 per case

Retrofit Adapter Frame for 3/4" deep 12" square retrofits



Part # 1216FRxxx
12 per case

Retrofit Adapter Frame for 1" deep 12" square retrofits



Part # R1216FRxxx
12 per case