

12" SQUARE MOFLOW[™] SUCTION OUTLET COVER AND MUD FRAME

VGB Series

The AquaStar line of suction outlet covers, compliant with the Virginia Graeme-Baker Pool and Spa Safety Act (ANSI/APSP 16-2011 and NSF/ANSI 50-2009a)

FEATURES

For single or multiple drain use
3" sump depth / min. 2½" pipe
(see installation instructions)

Single

Floor: 274 GPM at 1.2 fps

Wall: 278 GPM at 1.3 fps

Floor/wall: 332.9 GPM at 1.5 fps

Floor/wall: 221.9 GPM at 1.0 fps

When 1.0 or 1.5 fps installations are not required, always use the lower tested flow rate

71.2 square inch opening

Trademarked VGB compliance button easily identifies VGB 2008 compliant cover from on deck and underwater

Easily and safely retrofits to 12" square ¾" deep frames

Additional sump versions also available

#316 stainless steel screws

Manufactured from superior UV-resistant engineered polymers

All components (cover, frame, screws) meet or exceed ANSI/APSP 16-2011 and NSF/ANSI 50-2009a national standards and ASTM G154 UV testing exposure

Replace every five years from the date of installation

6 per case

U.S. patent D623728



Part # 12MFxxx

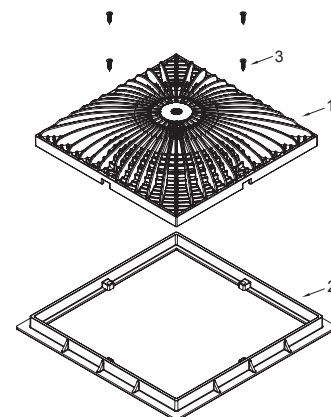
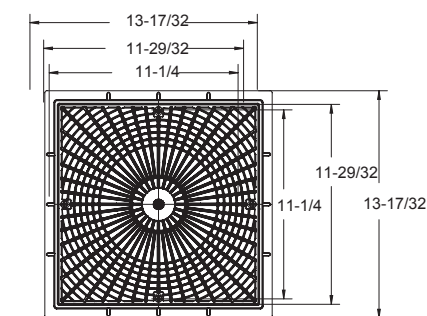
Fits: AquaStar (all standard 12" square), Pentair (#1 selling) with ¾" deep existing frames and four screw hole pattern

STANDARD COLORS

- 12MF101 – White
- 12MF102 – Black
- 12MF103 – Light Gray
- 12MF104 – Blue
- 12MF105 – Dark Gray
- 12MF108 – Tan

Replaces p/n P12xxx

VGB 2008 Compliant

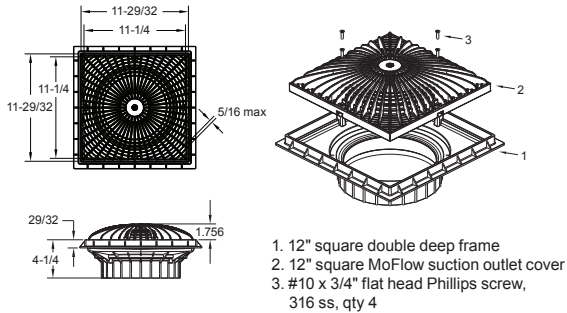


1. 12" square MoFlow suction outlet cover
2. 12" square mud frame
3. #10 x 3/4" lg flat head Phillips Type A screw, 316 ss, qty 4

ADDITIONAL PRODUCT CONFIGURATIONS FOR 12MFXXX

Double-Deep Sump

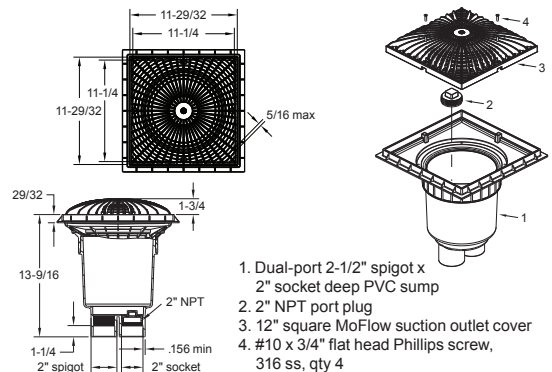
Part #
12MFxxxA
4 per case



1. 12" square double deep frame
2. 12" square MoFlow suction outlet cover
3. #10 x 3/4" flat head Phillips screw, 316 ss, qty 4

Dual-Port 2 1/2" Spigot x 2" Socket Deep PVC Sump

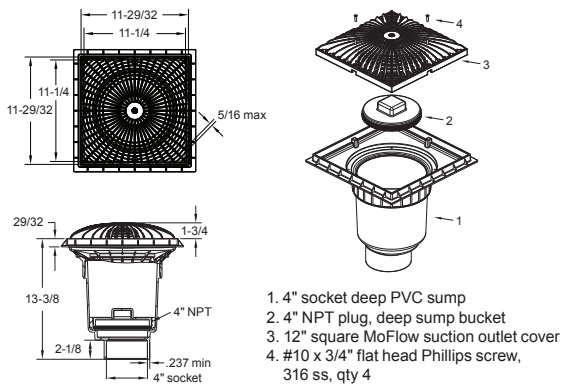
Part #
12MFxxxB
1 per case



1. Dual-port 2-1/2" spigot x 2" socket deep PVC sump
2. 2" NPT port plug
3. 12" square MoFlow suction outlet cover
4. #10 x 3/4" flat head Phillips screw, 316 ss, qty 4

4" Socket Deep PVC Sump

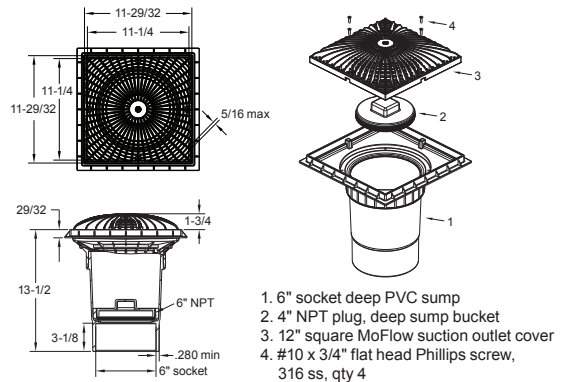
Part #
12MFxxxD
1 per case



1. 4" socket deep PVC sump
2. 4" NPT plug, deep sump bucket
3. 12" square MoFlow suction outlet cover
4. #10 x 3/4" flat head Phillips screw, 316 ss, qty 4

6" Socket Deep PVC Sump

Part #
12MFxxxF
1 per case



1. 6" socket deep PVC sump
2. 4" NPT plug, deep sump bucket
3. 12" square MoFlow suction outlet cover
4. #10 x 3/4" flat head Phillips screw, 316 ss, qty 4